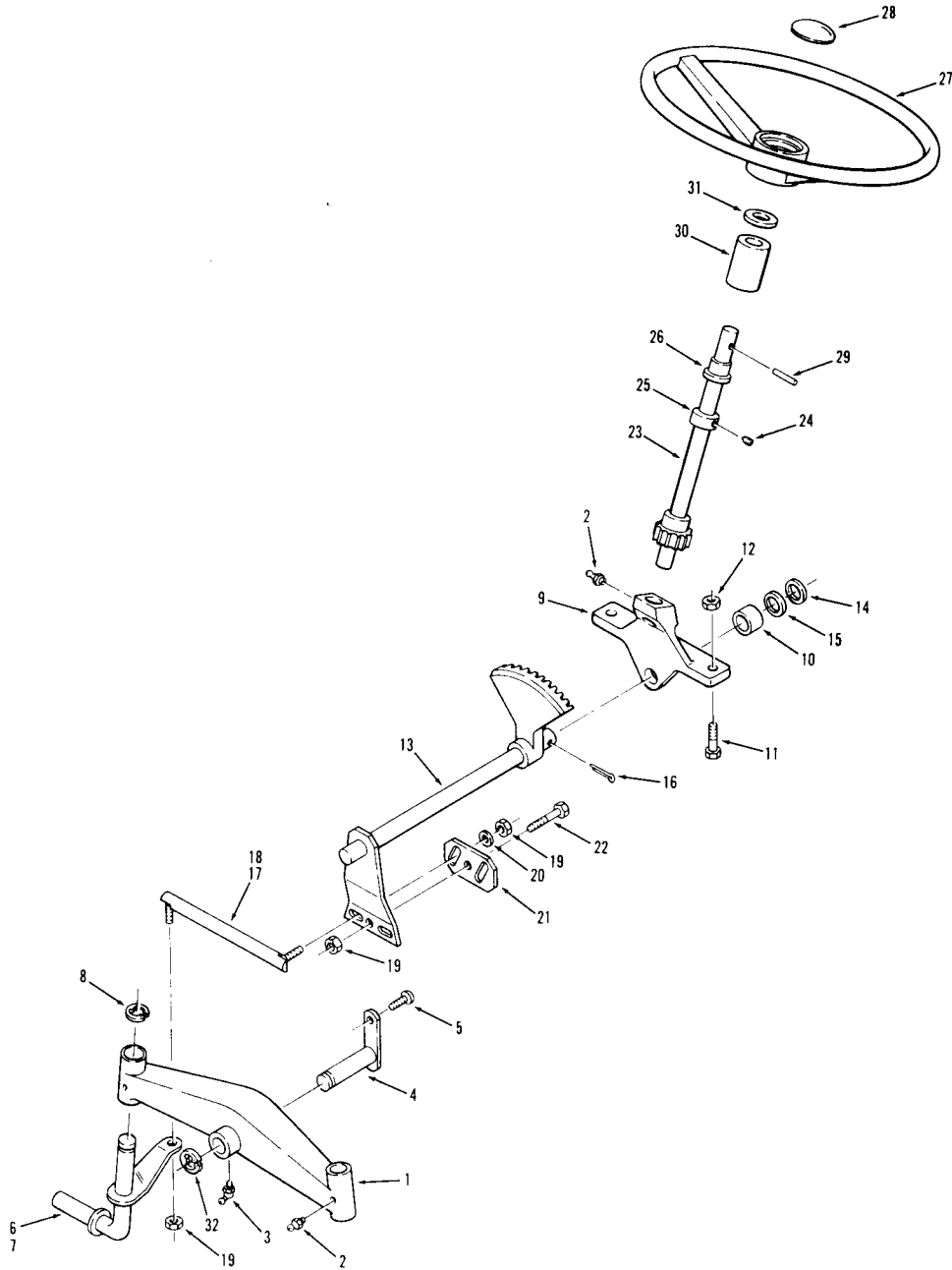


72-10BP01 A-100

72-08BP01 A-90

PRICE: \$3.00

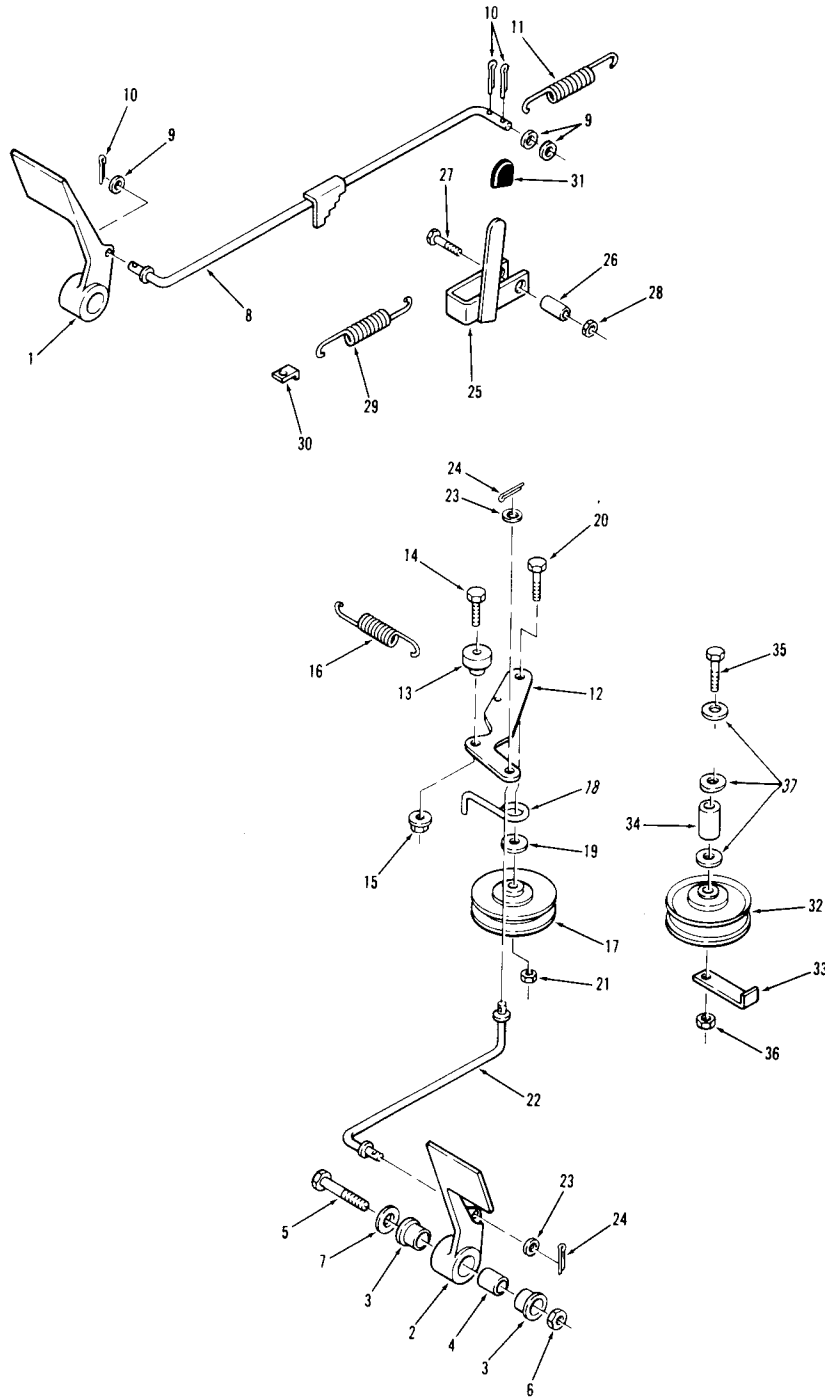
 **WHEEL HORSE**
lawn & garden tractors



0502

Figure 5-2 Front Axle and Steering

Item	Part Number	Description	72-08BP01	72-10BP01
<p>Figure 5-2 FRONT AXLE AND STEERING</p>				
1	104759	Axle-Front	1	1
2	1030	Grease Fitting	3	3
3	1481	Grease Fitting	1	1
4	103557	Assy-Pin & Plate	1	1
5	926715	Screw	1	1
6	105967	Assy-Front Spindle RH	1	1
7	105968	Assy-Front Spindle LH	1	1
8	104822	Retain Ring 3/4 Hwy	2	2
9	6396	Support Lever	1	1
10	6397	Bearing	1	1
11	908034	H H C S.	1	1
12	915113	Nut-Hex 3/8-16 Eslok	1	1
13	104762	Assy-Steering Shaft	1	1
14	5210	Washer-Shim	1	1
15	1278	Washer	1	1
16	932035	Cotter Pin	1	1
17	1772	Assy-Ball Joint	1	1
18	1773	Assy-Ball Joint	1	1
19	915002	Eslok	5	5
20	920009	Washer	2	2
21	100065	Hanger	1	1
22	908182	H H C S.	1	1
23	104885	Assy-Steering Shaft Upper	1	1
24	909848	Cup Point Set Screw	1	1
25	1085	Shaft Collar	1	1
26	101442	Bearing	1	1
27	106055	Steering Wheel	1	1
28	102856	Steering Wheel Insert	1	1
29	933221	Spirol Pin 1/4 X 2	1	1
30	104007	Collar	1	1
31	7896	Bowed Washer	1	1
32	5618	E Ring	1	1

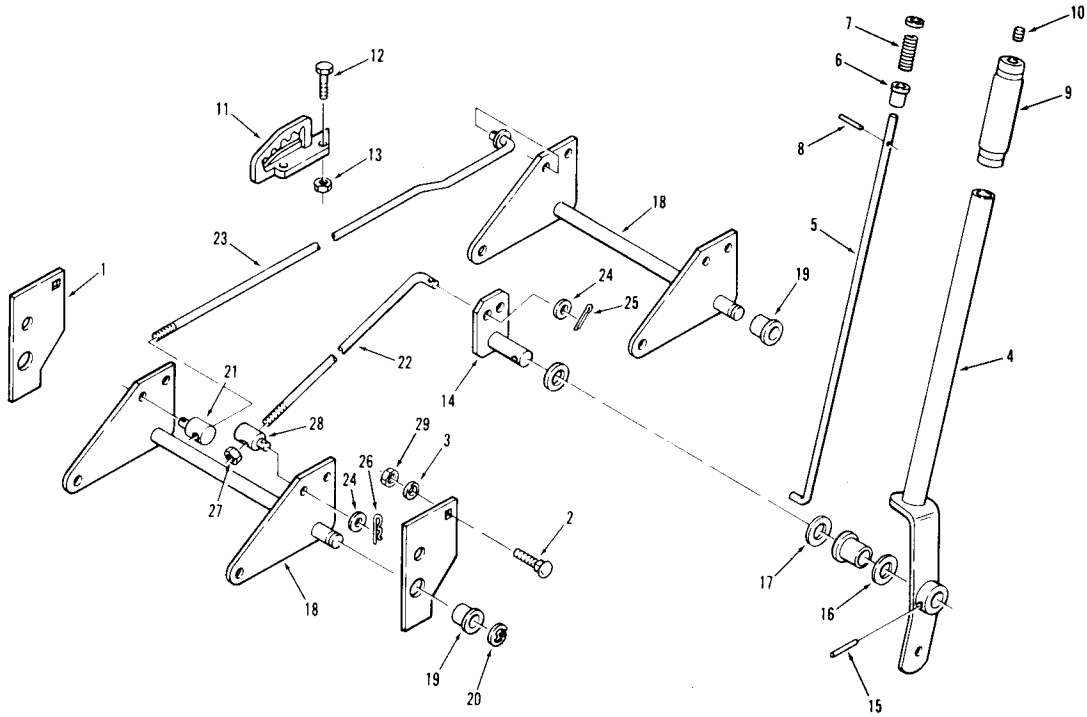


0603

Figure 6-3 Brake and Clutch Linkage

Item	Part Number	Description	72-10BP01	
			72-08BP01	
Figure 6-3 BRAKE AND CLUTCH LINKAGE				
1	103355	Pedal-Brake	1	1
2	103576	Pedal-Clutch	1	1
3	6254	Bearing	4	4
4	6264	Spacer	2	2
5	908060	H H C S	2	2
6	915115	Eslok Nut	2	2
7	920011	Washer	2	2
8	103449	Assy Brake Rod	1	1
9	920247	Washer 5/16 Nylon	3	3
10	932016	Cotter Pin	3	3
11	103628	Spring-Extension	1	1
12	103413	Lever-Clutch	1	1
13	103409	Spacer-Clutch Link	1	1
14	908036	H H C S	1	1
15	102809	Flange Locknut	1	1
16	9170	Spring Brake	1	1
17	8205	Pulley Idler Station	1	1
18	103408	Retainer	1	1
19	920009	Washer	1	1
20	908037	H H C S	1	1
21	915113	Nut-Hex 3/8-16 Eslok	1	1
22	103451	Assy-Rod Clutch	1	1
23	920248	Washer-3/8 Nylon	2	2
24	932016	Cotter Pin	2	2
25	103600	Assy-Brake Lever	1	1
26	102025	Spacer	1	1
27	900066	Carriage Bolt	1	1
28	102809	Flange Locknut	1	1
29	103628	Spring-Extension	1	1
30	2534	Clip - Spring	2	2
31	6820	Grip	1	1
32	7434	Idler Pulley	1	1
33	101415	Bracket Belt Support	1	1
34	6872	Spacer	1	1
35	908041	H H C S	1	1
36	915113	Nut-Hex 3/8-16 Eslok	1	1
37	920009	Washer	3	3

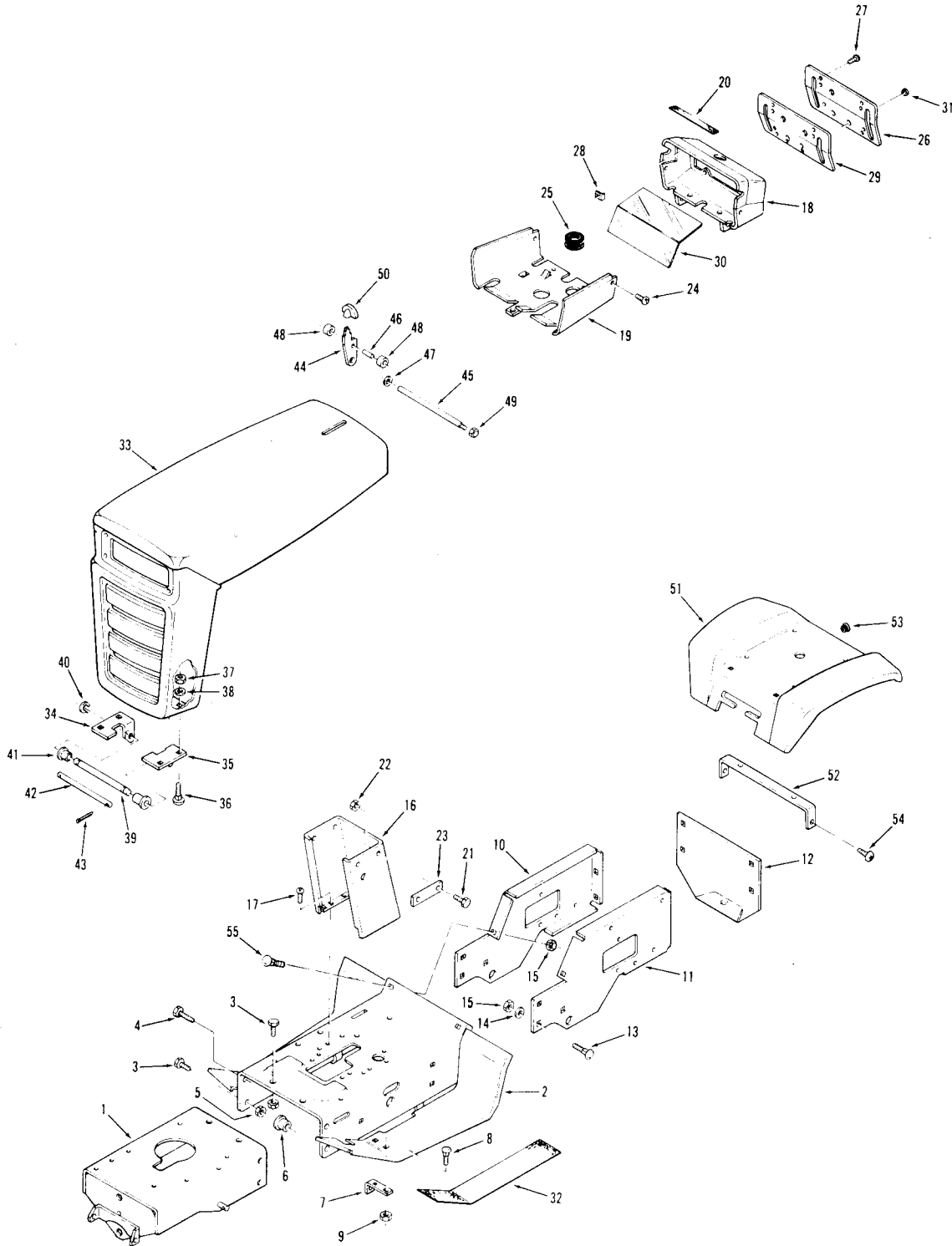
Wheel Horse Products, Inc.



0705

Figure 7-5 Hitches and Lift Linkage

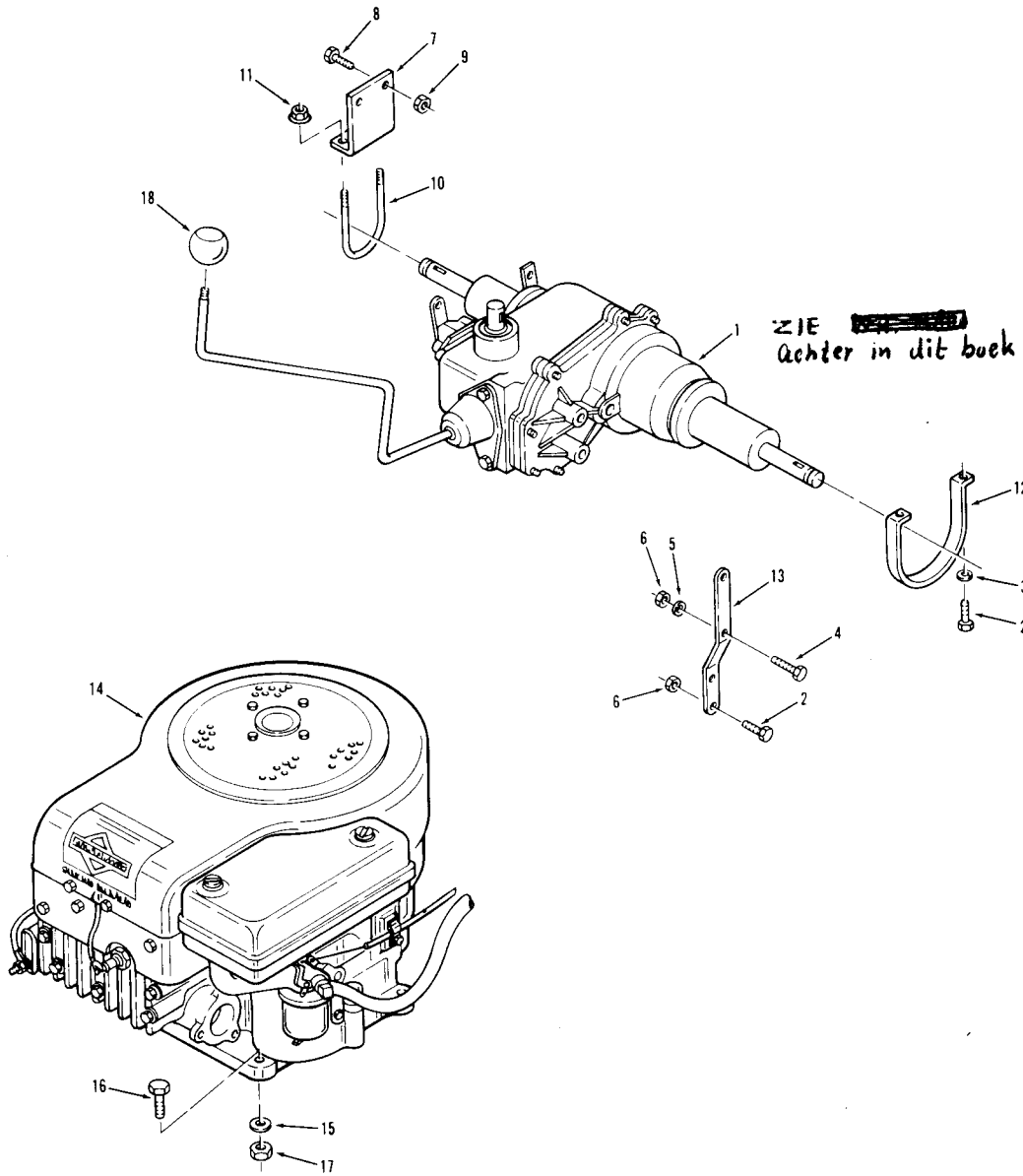
Item	Part Number	Description	72-08BP01	72-10BP01
Figure 7-5 HITCHES AND LIFT LINKAGE				
1	105482	Plate-Hitch Front	2	2
2	900062	Carriage Bolt	2	2
3	920009	Washer	2	2
4	8124	Assy-Lift Lever	1	1
5	8129	Rod-Latch Lift Lever	1	1
6	8130	Retainer Spring	1	1
7	3624	Compression Spring	1	1
8	933148	Spirol Pin	1	1
9	6542	Handgrip	1	1
10	105316	Cap-Plunger Rod	1	1
11	103363	Quadrant-Height Control	1	1
12	908034	H H C S	2	2
13	915113	Nut-Hex 3/8-16 Eslok	2	2
14	103377	Assy-Lift Arm	1	1
15	933216	Spirol Roll Pin	1	1
16	1278	Washer	1	1
17	920011	Washer	2	2
18	105484	Assy-Lift Bell Crank	2	2
19	6230	Bronze Bushing	4	4
20	5701	E Ring	4	4
21	101161	Trunion-Clutch Rod	1	1
22	103446	Lift Rod-Front	1	1
23	105536	Lift Rod-Rear	1	1
24	920009	Washer	4	4
25	932016	Cotter Pin	2	2
26	933504	Hairpin Cotter	2	2
27	915663	Nut	1	1
28	6739	Stud	1	1
29	915113	Nut-Hex 3/8-16 Eslok	2	2



0805

Figure 8-5 Frame, Sheet Metal and Covers

Item	Part Number	Description	72-10BP01	
			72-08BP01	
		Figure 8-5		
		FRAME, SHEET METAL AND COVERS		
1	105285	Assy-Frame Front	1	1
2	105445	Assy-Frame Center (W/Bushing)	1	1
3	908032	H H C S	4	4
4	908033	H H C S	2	2
5	915113	Nut-Hex 3/8-16 Eslok	6	6
6	MW 2412	Bushing	1	1
7	104196	Bracket-Mower Brake	1	1
8	900037	Carriage Bolt	2	2
9	915112	Nut	2	2
10	103404	Panel-Frame Side RH	1	1
11	103405	Panel-Frame Side LH	1	1
12	103386	Panel-Rear	1	1
13	900062	Carriage Bolt	9	9
14	920009	Washer	11	11
15	915113	Nut-Hex 3/8-16 Eslok	11	11
16	103566	Channel Hoodstand	1	1
17	926694	Screw	5	5
18	5450	Housing-Control Panel	1	1
19	104108	Support-Tank	1	1
20	5606	Insulator Tape	1	1
21	960152	Whizlock Screw	4	4
22	915111	Nut	4	4
23	9775	Spacer-Hood Stand	2	2
24	926720	Screw	4	4
25	101971	Grommet	1	1
26	104023	Plate-Dash Panel	1	1
27	102168	Screw Black	4	4
28	5442	Speed Nut	4	4
29	101841	Back Up Plate	1	1
30	101446	Control Protector	1	1
31	104868	Plug Button	1	1
32	105273	Pad-Footrest	2	2
33	9698	Assy-Hood & Grill	1	
33	105497	Assy-Hood & Grill		1
34	9766	Bracket-Grill Pivot RH	1	1
35	9767	Bracket-Grill Pivot LH	1	1
36	900037	Carriage Bolt	4	4
37	915112	Nut	4	4
38	920008	Washer	2	2
39	101452	Rod-Grill Pivot	1	1
40	105797	E Ring	2	2
41	5457	Nyliner Bushing	2	2
42	9707	Rod-Pivot Stop	1	1
43	932000	Cotter Pin	2	2
44	5467	Lever-Hood Latch	1	1
45	5522	Rod-Latch	1	1
46	933182	Spirol Pin	1	1
47	5466	Speed Nut	2	2
48	5468	Hood Roller	2	2
49	915932	Nut	2	2
50	5469	Knob	1	1
51	105438	Assy-Fender & Plate	1	1
52	105485	Support-Fender	2	2
53	938030	Bushing-Insulator	1	1
54	926715	Screw	4	4
55	908032	H H C S	2	2



0902

Figure 9-2 Engine and Transmission

Item	Part Number	Description	72-08BP01	72-10BP01
<p>Figure 9-2 ENGINE AND TRANSMISSION</p>				
1	106059	Assy-Transmission	1	1
2	908017	H H C S.....	5	5
3	920082	Lockwasher	2	2
4	908019	H H C S.....	1	1
5	920008	Washer	1	1
6	915112	Nut	4	4
7	103580	Bracket-Trans Mounting	1	1
8	908032	H H C S.....	2	2
9	915113	Nut-Hex 3/8-16 Eslok	2	2
10	103428	"U" Bolt-Axle Mount	1	1
11	102809	Flange Locknut	2	2
12	103579	Girth-Transmission	1	1
13	103383	Bar-Trans Support	1	1
14	105440	Engine-8 HP Briggs	1	
14	105441	Engine-10 HP Briggs		1
15	920008	Washer	4	4
16	908021	H H C S.....	4	4
17	915112	Nut	4	4
18	102871	Knob-Shift	1	1

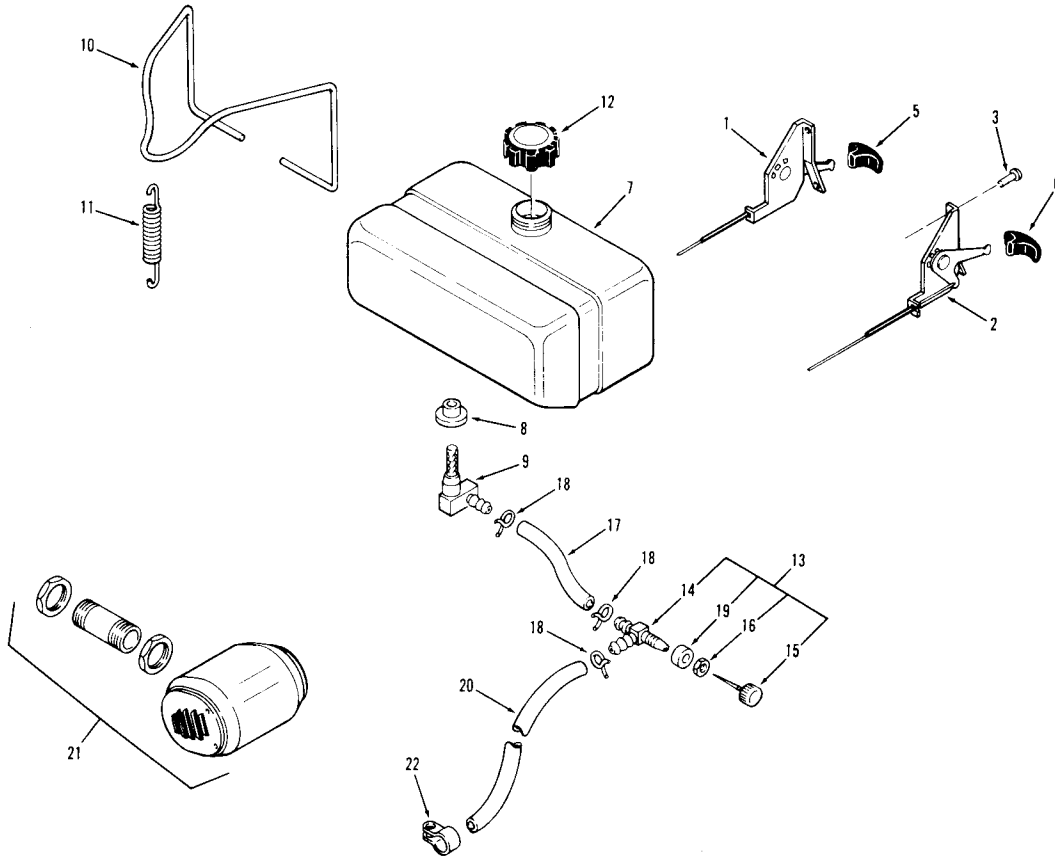


Figure 10-2 Fuel and Exhaust Systems

Item	Part Number	Description	72-08BP01	72-10BP01
Figure 10-2 FUEL AND EXHAUST SYSTEMS				
1	103519	Assy-Control Throttle	1	1
2	105433	Control-Choke	1	1
3	923795	Pop Rivet	4	4
5	102185	Knob	1	1
6	102186	Knob	1	1
7	104067	Assy-Fuel Tank	1	1
8	104047	Bushing	1	1
9	104071	Fuel Tank Fitting	1	1
10	100147	Hold Down Wire	1	1
11	9170	Hold Down Spring	1	1
12	102321	Gasoline Cap Assy	1	1
13	8023	Fuel Valve-S.A.	1	1
14	100748	Valve Body	1	1
15	100749	Stem	1	1
16	100750	Nut	1	1
17	105029	Fuel Hose 4.5 in.	1	1
18	950154	Clamp	3	3
19	5189	Spacer	1	1
20	105442	Fuel Line 18 in.	1	1
21	105501	Assy-Exhaust	1	1
22	101861	Fuel Hose Clamp	1	1

Item	Part Number	Description	72-08BP01	72-10BP01
Figure 11-4 MAIN ELECTRICAL SYSTEM				
1	103991	Assy-Switch Ignition	1	1
2	920160	Lockwasher	1	1
3	101884	Special Hex Nut	1	1
4	8658	Solenoid	1	1
5	926671	Self Tapping Screw	2	2
6	3666	Ground Wire	1	1
7	105439	Wire Harness	1	1
8	8655	Assy-Wire	1	1
9	100571	Plastic Tie	2	2
10	3023	Speed Clip	2	2
11	103480	Switch-Interlock	2	2
12	104117	Bracket-Switch	1	1
13	8830	Clip	1	1
14	104962	Battery	1	1
15	100438	Battery Cap	1	1
16	920007	Washer	4	4
17	908003	H H C S.	4	4
18	915111	Nut	4	4
19	105504	Rod-Hold Down	1	1
20	8107	Hook	2	2
21	7262	Ignition Key Set of 2	1	1
22	105490	Clamp	1	1

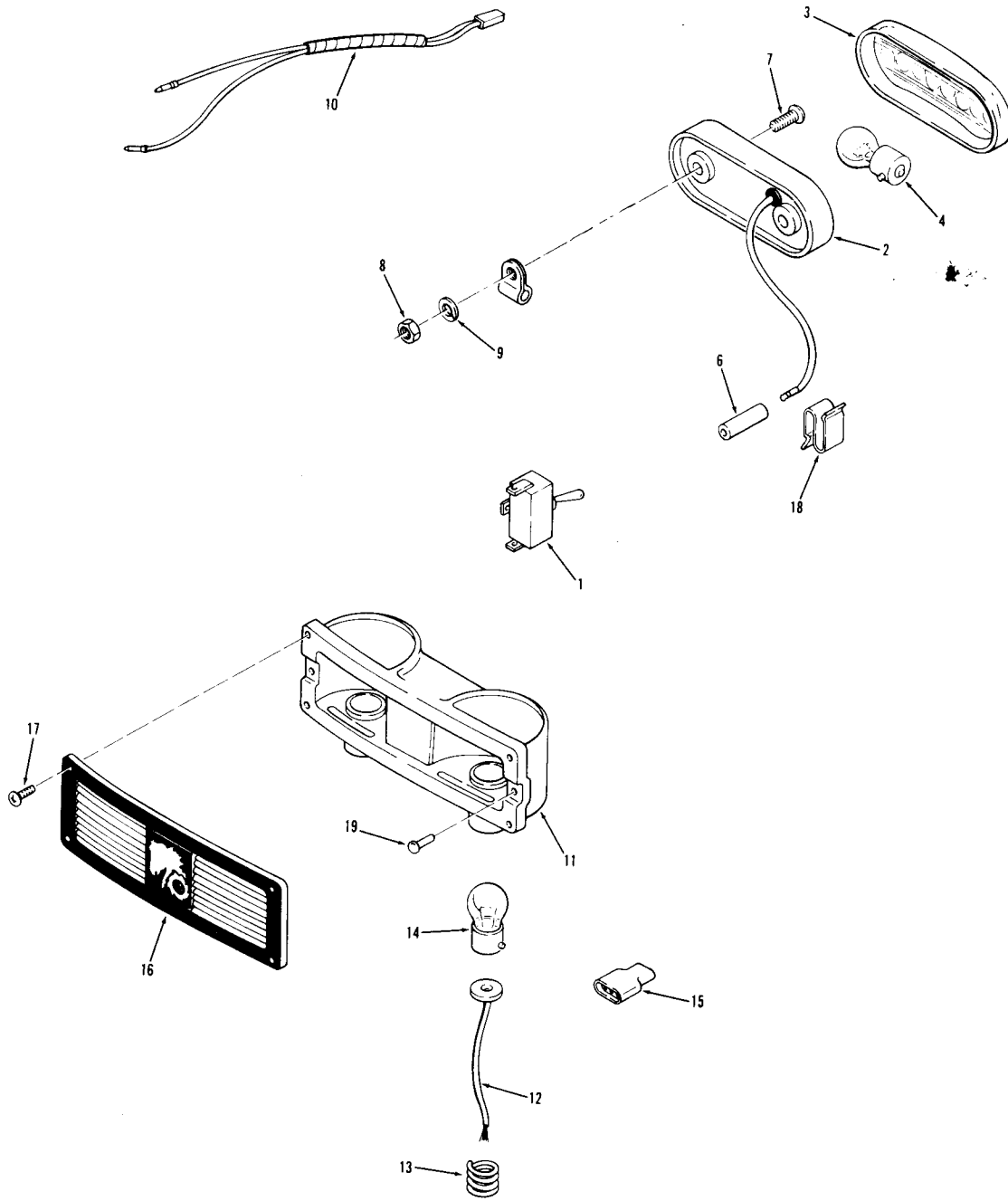


Figure 11-5 Lights

Item	Part Number	Description	72-08BP01	72-10BP01
Figure 11-5 LIGHTS				
1	102138	Toggle Switch	1	1
2	102883	Base-Tail Light	1	1
3	102884	Lens-Tail Light	1	1
4	8043	Tail Light Bulb	1	1
6	6922	Connector	1	1
7	910808	Screw	2	2
8	915551	Machine Nut	2	2
9	920079	Lockwasher	2	2
10	105443	Wire Harness-Lights	1	1
11	7223	Assy-Reflector Housing	1	1
12	7226	Assy-Wire	2	2
13	7227	Spring	2	2
14	7228	Bulb	2	2
15	7618	Three Wire Connector	1	1
16	103771	Lens	1	1
17	7229	S.T. Screw #6-32 X 3/8 (Special)	4	4
18	3023	Speed Clip	7	7
19	923784	Pop Rivet	2	2

Wheel Horse Products, Inc.

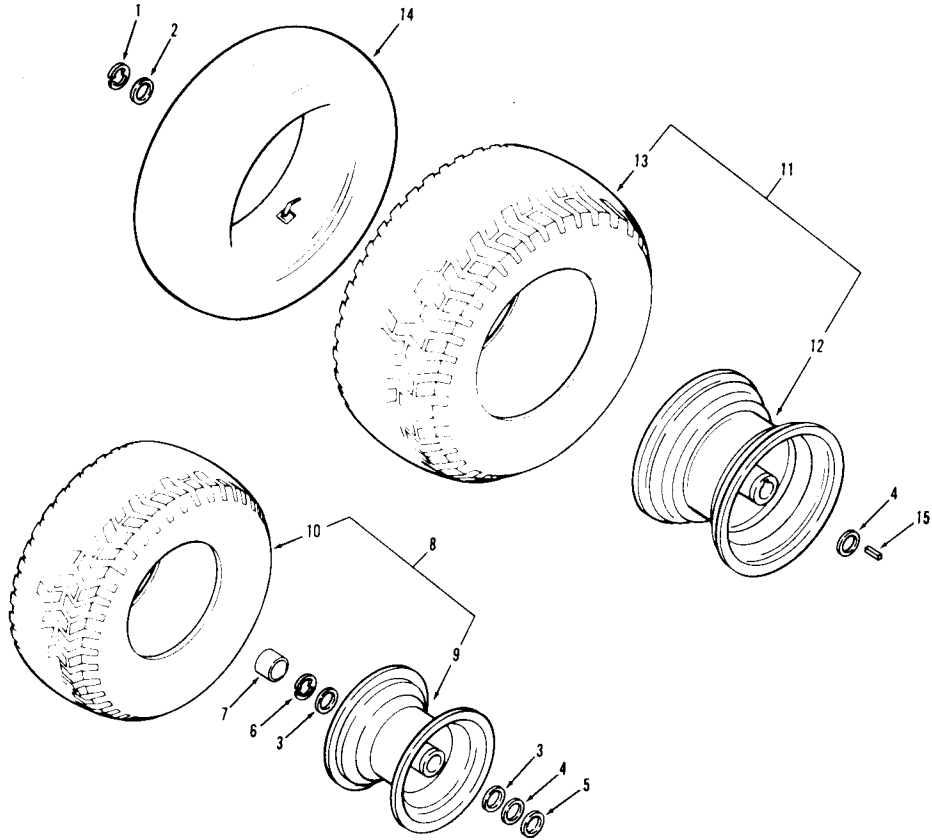


Figure 13-2 Wheels and Tires

Item	Part Number	Description	72-08BP01	72-10BP01
Figure 13-2 WHEELS AND TIRES				
1	104636	E Ring.....	2	2
2	920256	Washer.....	4	4
3	5210	Washer-Shim .015.....	2	2
4	1278	Washer-Shim .050.....	4	4
5	920015	Washer 3/4.....	2	2
6	104822	Snap Ring.....	2	2
7	103634	Hub Cap.....	2	2
8	8187	Assy-Wheel & Tire Front.....	2	
8	105449	Assy-Wheel & Tire Front.....		2
9	8118	Front Wheel.....	1	
9	105448	Front Wheel.....		1
10	8188	Front Tire.....	1	
10	104304	Front Tire.....		1
11	106056	Assy-Wheel & Tire Rear.....	2	
11	106057	Assy-Wheel & Tire Rear.....		2
12	106058	Rear Wheel.....	1	1
13	8191	Rear Tire 18 X 850-8.....	1	
13	105451	Rear Tire 18 X 950-8.....		1
14	100028	Tube (Service Only) 18-850-8.....	1	
14	105450	Tube (Service Only) 18-950-8.....		1

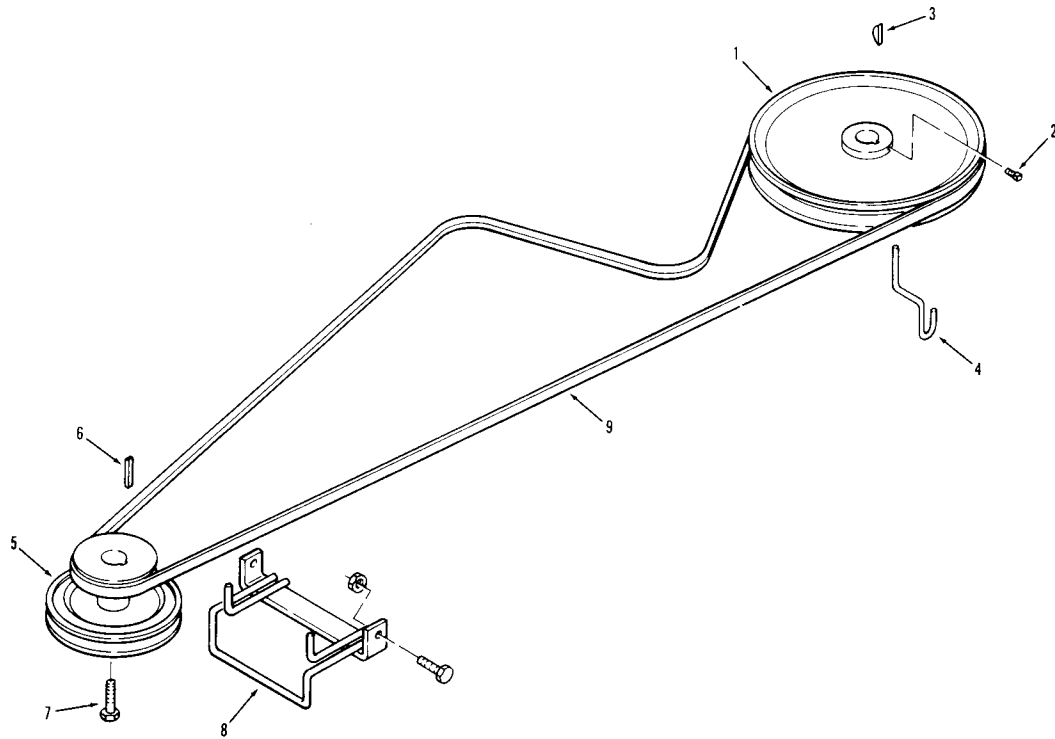


Figure 14-4 Drive Belt and Pulleys

Item	Part Number	Description	72-10BP01	72-08BP01
Figure 14-4 DRIVE BELT AND PULLEYS				
1	103339	Pulley-Transmission	1	1
2	909540	Set Screw	2	2
3	937086	Woodruff Key	1	1
4	6441	Retainer Belt	1	1
5	105070	Pulley	1	1
6	1349	Sq Key 1/4 X 1-1/2	1	1
7	908195	Bolt 7/16-20 X 1	1	1
8	105287	Assy-Belt Bracket	1	1
9	103522	Belt-Transmission Drive	1	1

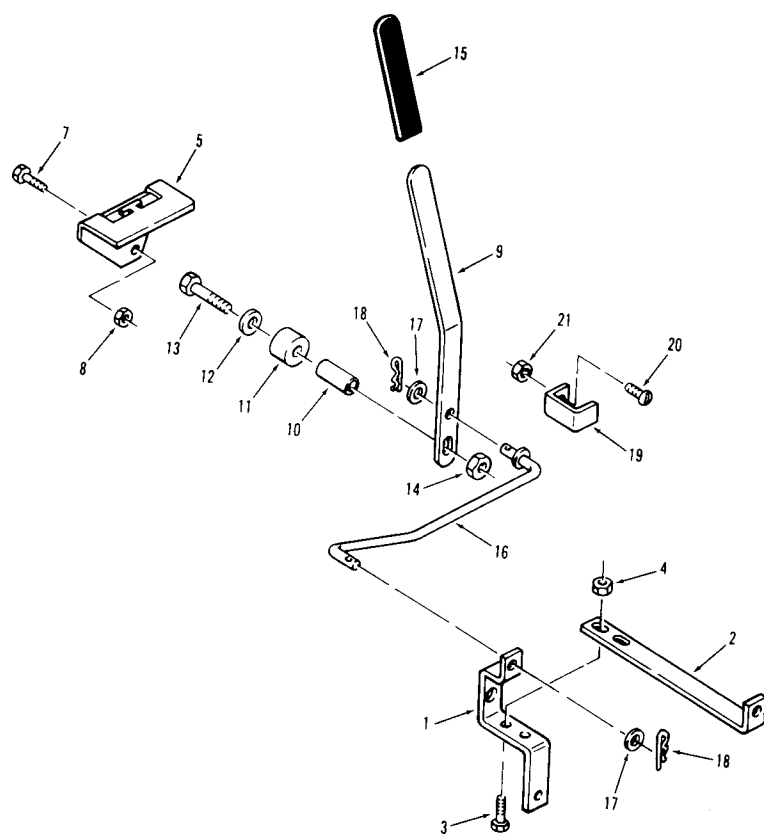


Figure 14-5 PTO Clutch

Item	Part Number	Description	72-088P01	72-10BP01
Figure 14-5 PTO CLUTCH				
1	105291	Bar-Clutch Bell Crank	1	1
2	105292	Bar-Locating	1	1
3	908034	H H C S	2	2
4	915113	Nut-Hex 3/8-16 Eslok	2	2
5	103412	Bracket-Clutch	1	1
7	908034	H H C S	2	2
8	915113	Nut-Hex 3/8-16 Eslok	2	2
9	103414	Handle-Clutch Lever	1	1
10	7893	Spacer-Height Adj	1	1
11	103687	Bumper-Rubber	1	1
12	920011	Washer	1	1
13	908036	H H C S	1	1
14	915113	Nut-Hex 3/8-16 Eslok	1	1
15	103712	Grip	1	1
16	103453	Assy-Mower Clutch Rod	1	1
17	920248	Washer-3/8 Nylon	2	2
18	933503	Hair Pin Cotter	2	2
19	104064	Bracket	1	1
20	910864	Screw	1	1
21	915112	Nut	1	1

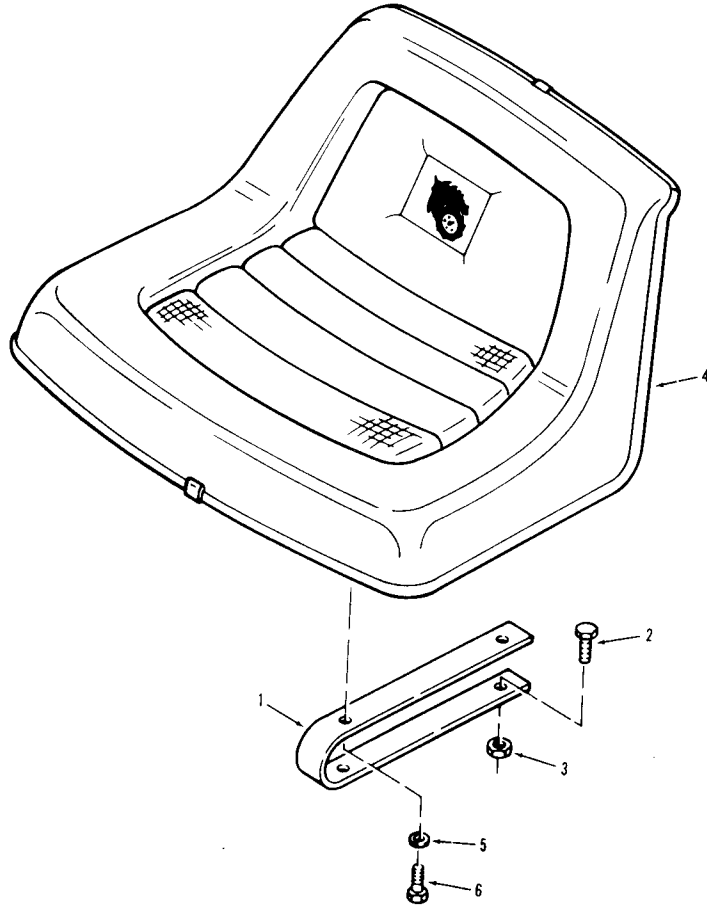
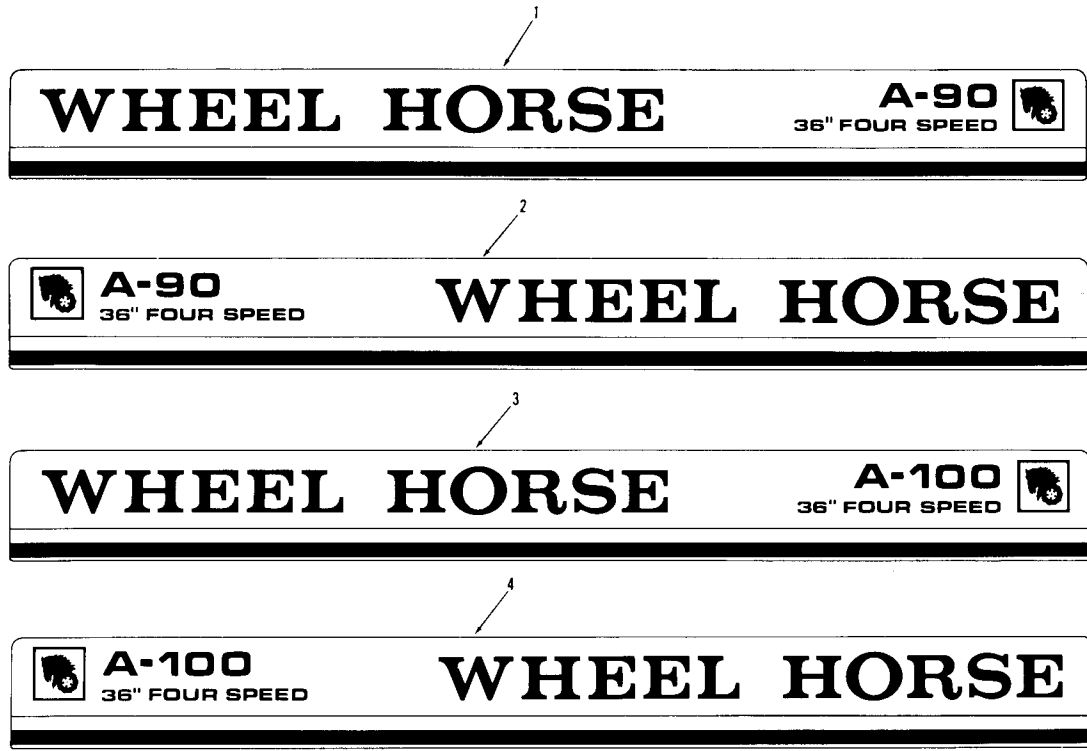


Figure 15-2 Seat and Suspension

Item	Part Number	Description	72-08BP01	72-10BP01
Figure 15-2 SEAT AND SUSPENSION				
1	103145	Spring-Seat	2	2
2	908019	H H C S.....	4	4
3	915112	Hex Nut 5/16-18	4	4
4	105259	Assy-Seat	1	1
5	920082	Lockwasher	8	8
6	908017	H H C S.....	4	4



Read owner's manual before operating this vehicle!

CAUTION ⚠

- Keep all guards in place.
- Before leaving operator's position:
 - A. Shift transmission to Neutral
 - B. Set Parking Brake
 - C. Disengage attachment clutch (PTO)
 - D. Shut off motor(s)
 - E. Remove ignition key
- Keep people and pets a safe distance away from machine.
- Wait for all movement to stop before servicing machine.

Parking Brake

To ENGAGE
Depress brake pedal and pull lever.

To DISENGAGE
Depress brake pedal.

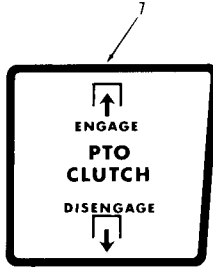
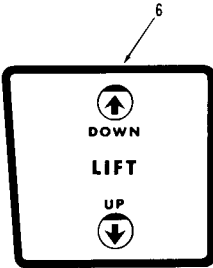
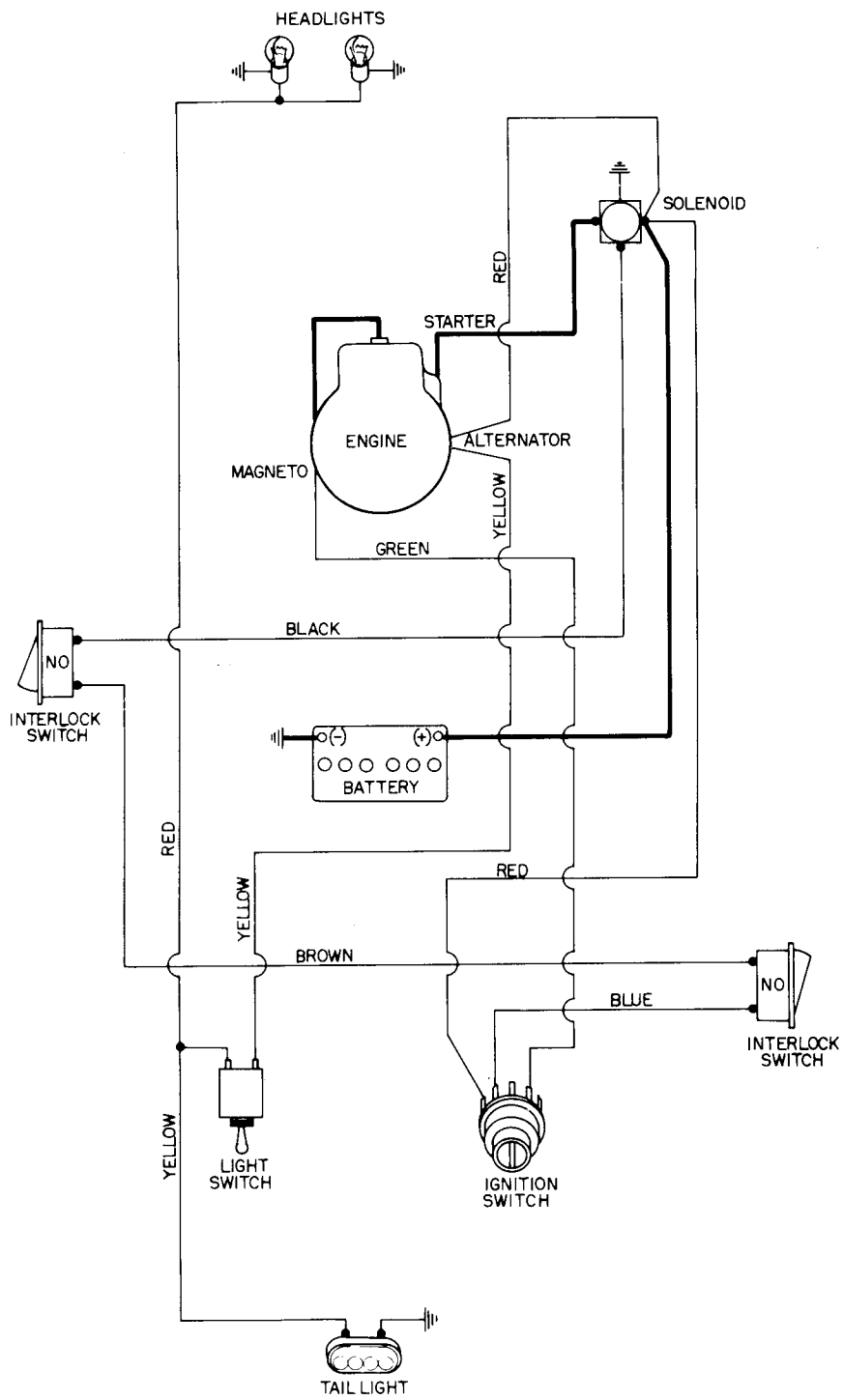


Figure 15-5 Decals

Item	Part Number	Description		
			72-10BP01	
			72-08BP01	
		Figure 15-5 DECALS		
1	105552	Decal-Hood A-90 RH	1	
2	105553	Decal-Hood A-90 LH	1	
3	105554	Decal-Hood A-100 RH		1
4	105555	Decal-Hood A-100 LH		1
5	105757	Decal-Caution	1	1
6	102948	Decal	1	1
7	102859	Decal	1	1
8	102847	Decal-4 Spd Shift	1	1
9	103442	Decal-PTO Clutch	1	1



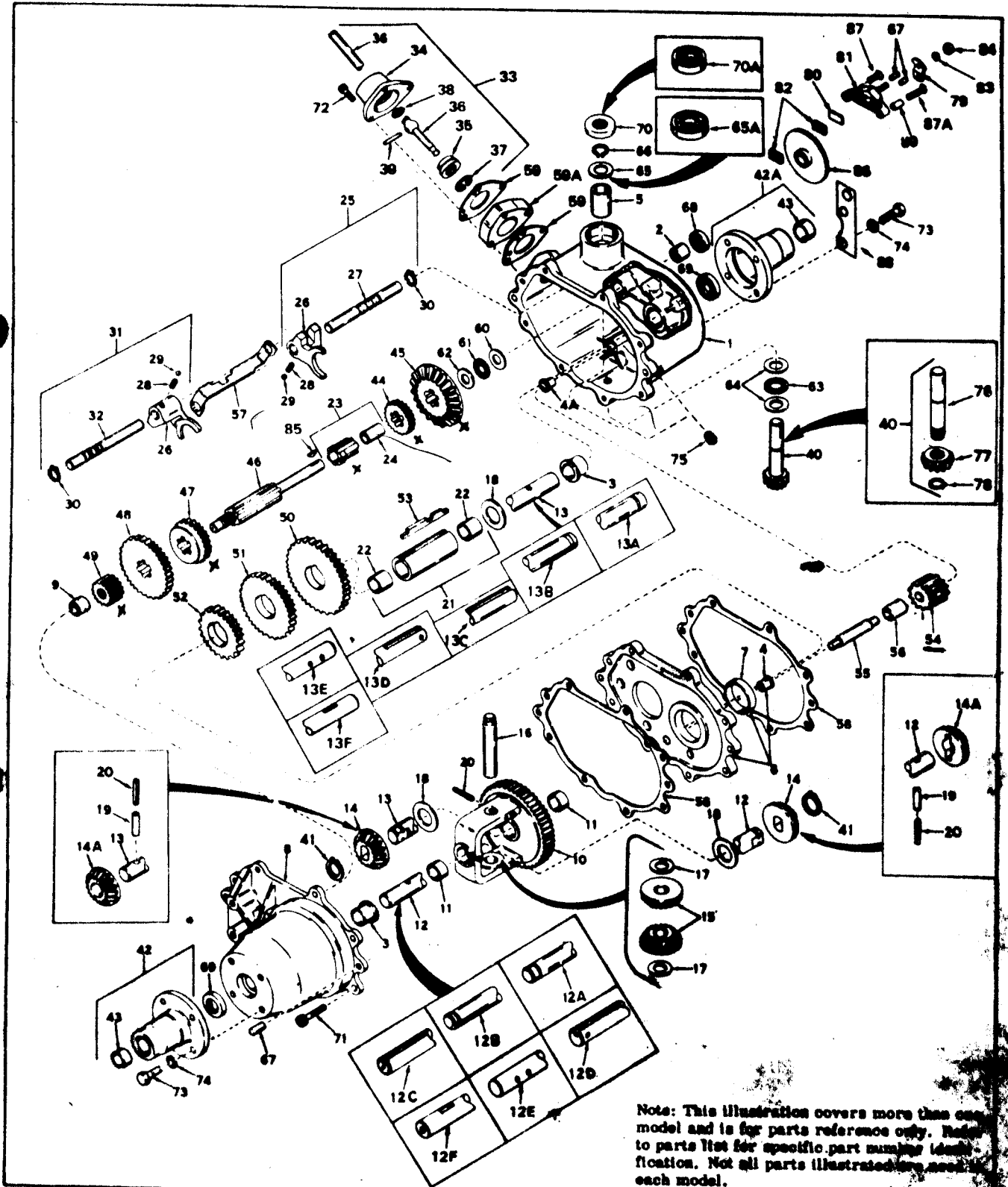
WHEEL HORSE
lawn & garden tractors

Ablage:
Kapitel: 7
ausgegeben: Jan. 1973
geändert:

LAUSON-POWER PRODUCTS PARTS DEPOT



PEERLESS "600" SERIES TRANSAXLES



Note: This illustration covers more than one model and is for parts reference only. Refer to parts list for specific part number identification. Not all parts illustrated are used in each model.

Original Tecumseh Getriebe

Modell 604B, 607A, 612 A, 617, 622, 622A, 623, 623A, 626, 627, 635, 638, 639

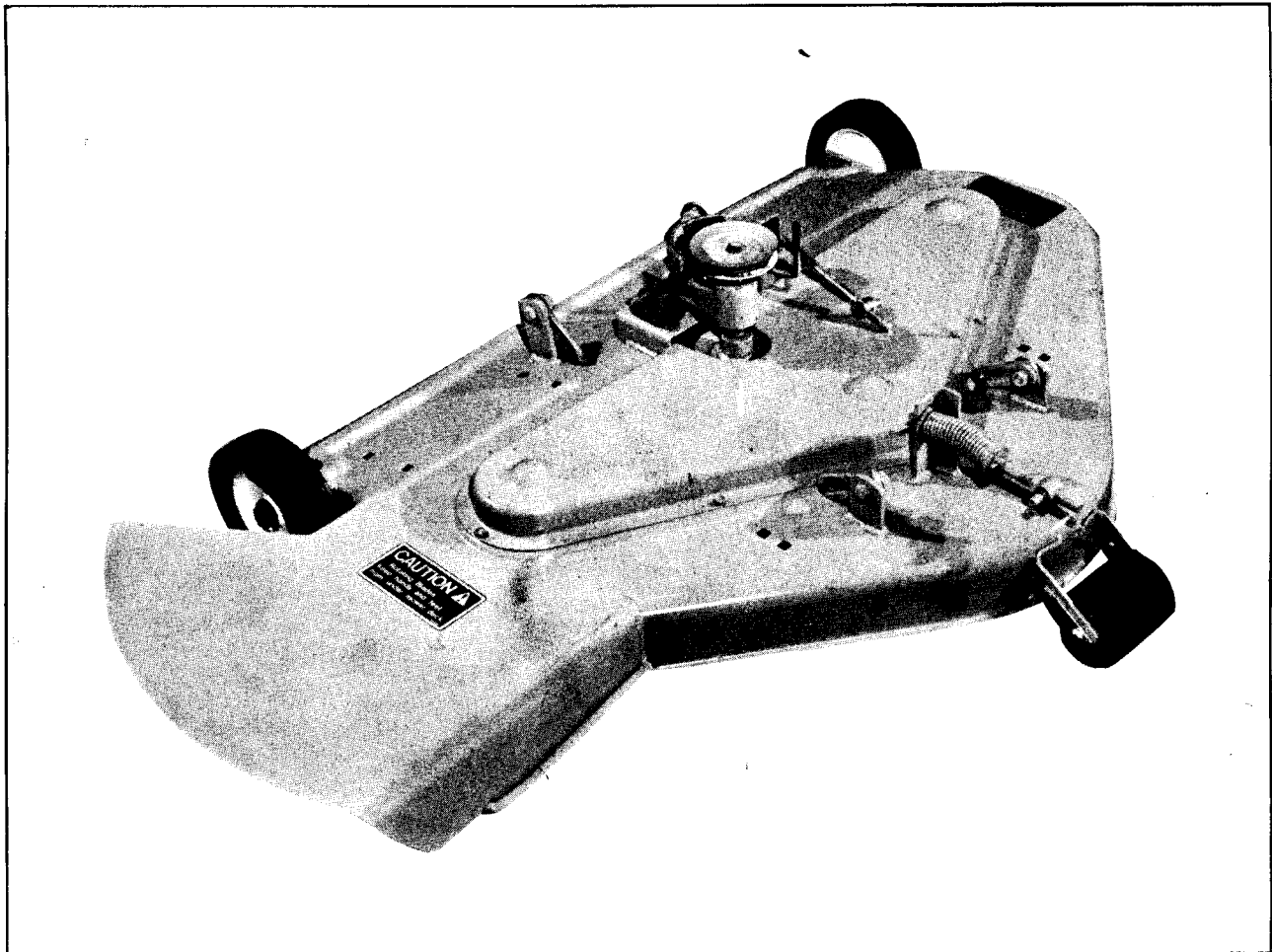
Ablage:
Kapitel: 7
ausgegeben: Jan. 1973
geändert:

Bild-Nr	Best-Nr	Bezeichnung	Bild-Nr	Best-Nr	Bezeichnung
1	770051	Gehäuse Modell 604B, 607A, 612, 617, 622, 622A, 623, 626, 627	23	776090	Schaltwelle
			25	784079	Schaltwelle
			26	784004	Gabel
			27	784083	Schaltwelle
1	770063	Gehäuse Modell 623A, 635, 638, 639	28	792033	Feder
			29	792004	Stahlkugel
			30	792017	Seegerring
2	780086	Lager	31	784084	Schaltwelle kpl.
3	780059	Lager	32	784085	Schaltwelle
4	780060	Lager	33	784071 A	Schalthebel
4 A	780060	Lager			Modell 604 B
5	780061	Lager	33	784222	Schalthebel
6	786033	Grundplatte			Modell 638
7	780062	Lager	33	784112	Schalthebel
8	772042	Deckel			Modell 607A,
9	780063	Lager	33	784153	Schalthebel
10	778053	Zahnrad			Modell 612 A
11	780064	Lager	33	784167	Schalthebel
12 A	774099	Achse links Modell 604B	33	784241	Schalthebel
12 A	774097	Achse links Modell 607 A	33	784191	Schalthebel
12 A	774133	Achse links Modell 612 A	33	784202	Schalthebel
12 A	774166	Achse links Modell 617, 635	34	784088	Hebelgehäuse
12 A	774189	Achse links Modell 622, 622A,	35	784094	Hebelhalter
12 A	774197	Achse links Modell 623, 623A	36	784030	Schalthebel
12 A	774276	Achse links Modell 638	36	784223	Schalthebel
12 B	774221	Achse links Modell 626, 627, 639	36	784113	Schalthebel
13 A	774098	Achse rechts Modell 604B,	36	784154	Schalthebel
13 A	774096	Achse rechts Modell 607 A, 622, 622A	36	784168	Schalthebel
13 A	774134	Achse rechts Modell 612 A	36	784242	Schalthebel
13 A	774167	Achse rechts Modell 617, 635	36	784192	Schalthebel
13 A	774198	Achse rechts Modell 623, 623 A	36	784203	Schalthebel
13 A	774275	Achse rechts Modell 638	37	792016	Sicherungerring
13 A	774220	Achse rechts Modell 626, 627, 639	38	792001	Sicherungerring
14	778067	Zahnrad	39	792049	Stift
15	778068	Kegelrad	40	776055 B	Welle u. Getriebe kpl.
16	786034	Zapfen			Modell 604B, 607A, 617, 622, 622A, 623, 623A, 635
17	780065	Scheibe			Modell 612A, 626, 627, 638, 639
18	780001	Scheibe	41	788038	Sicherungerring
20	792040	Splint	42	782031	Getriebegehäuse kpl.
21	786035	Muffe			Modell 604B, 622, 622A, 623, 623A, 627
22	780066	Bronzelager			

Bild-Nr.	Best.-Nr.	Bezeichnung	Bild-Nr.	Best.-Nr.	Bezeichnung
42	782o35	Getriebegehäuse kpl. Modell 6o7 A,	65	78oo96	Scheibe Modell 6o4B, 6o7A, 617, 622, 622A, 623, 623A, 627, 635,
42	782o36 A	Getriebegehäuse kpl. Modell 612A, 626, 639	65 A	78oo93	Scheibe Modell 612A, 626, 638, 639
42	782o48	Getriebegehäuse kpl. Modell 638	66	792o35	Sicherungsring
42	wird vom	Gerätehersteller gel. Modell 635	67	786o26	Stift
42 A	782o31	Getriebegehäuse kpl. Modell 6o4B,	68	788o43	Simmerring
42 A	782o35	Getriebegehäuse kpl. Modell 6o7 A, 622, 622A, 623, 623A	69	788oo9	Simmerring
42 A	782o43	Getriebegehäuse kpl. Modell 626, 639	7o	788o35	Simmerring
42 A	782o44	Getriebegehäuse kpl. Modell 627	71	792o36	Schraube
42 A	782o48	Getriebegehäuse kpl. Modell 638	72	792oo7	Schraube
42 A	wird vom	Gerätehersteller gel. Modell 635	73	792o37	Schraube alle Modelle außer 617
43	78oo66	Lager Modell 6o4B, 6o7A, 622, 622A, 623, 623A, 627,	74	792o29	Scheibe alle Modelle außer 617
43	78oo91	Lager Modell 612A, 626, 638, 639	75	792o39	Schraube
44	778o24	Zahnrad 16 Zähne	76	7761oo	Welle Modell 6o4B, 6o7A, 617, 622, 622A, 623, 623A, 635
45	778o57	Kegelrad 33 Zähne	76	7761o3	Welle Modell 612A, 626, 627, 638, 639
46	776o89	Welle Modell 6o4B, 6o7A, 612A, 617, 622, 622A, 623, 626, 627,	77	778o77	Verzahnung
46	776138	Welle Modell 623A, 635, 638, 639	78	788o4o	Ring
47	778o58	Verzahnung 2.u.3.Gang	79	79ooo8	Hebel Modell 638
48	778o59	Verzahnung 1.u.Rück- wärtsgang	79	79ooo4	Hebel Modell 623A, 639
49	778o6o	Verzahnung 12 Zähne	79	79oo15	Hebel Modell 635
5o	778o61	Verzahnung 36 Zähne	8o	79ooo7	Platte Modell 623A, 635, 638, 639
51	778o62	Verzahnung 34 Zähne	81	79ooo5	Halter Modell 623A, 635, 638, 639
52	778o63	Verzahnung 25 Zähne	82	79ooo6	Bremse Modell 623A, 635, 638, 639
53	792o34 A	Keil	83	792o76	Scheibe Modell 623A, 635, 638, 639
54	778o64	Verzahnung	84	792o75	Mutter Modell 623A, 635, 638, 639
55	776o57	Welle	85	792o45	Keil Modell 623A, 635, 638, 639
56	786o36	Zwischenstück	86	79ooo9	Bremse Modell 623A, 635, 638, 639
57	784o87	Halter	87	792o73	Schraube Modell 623A, 635, 638, 639
58	788o33	Dichtung	87 A	792o85	Schraube Modell 639
59	788oo3	Dichtung	88	785o65	Halter Modell 639
6o	78oo72	Scheibe	89	786o66	Büchse Modell 639
61	78oo71	Drucklager			
62	78oo73	Scheibe			
63	78oo71	Drucklager			
64	78oo72	Scheibe			

PARTS LIST AND INSTRUCTIONS

Arbeitsnummer A 90 - A 100



36" MOWERS



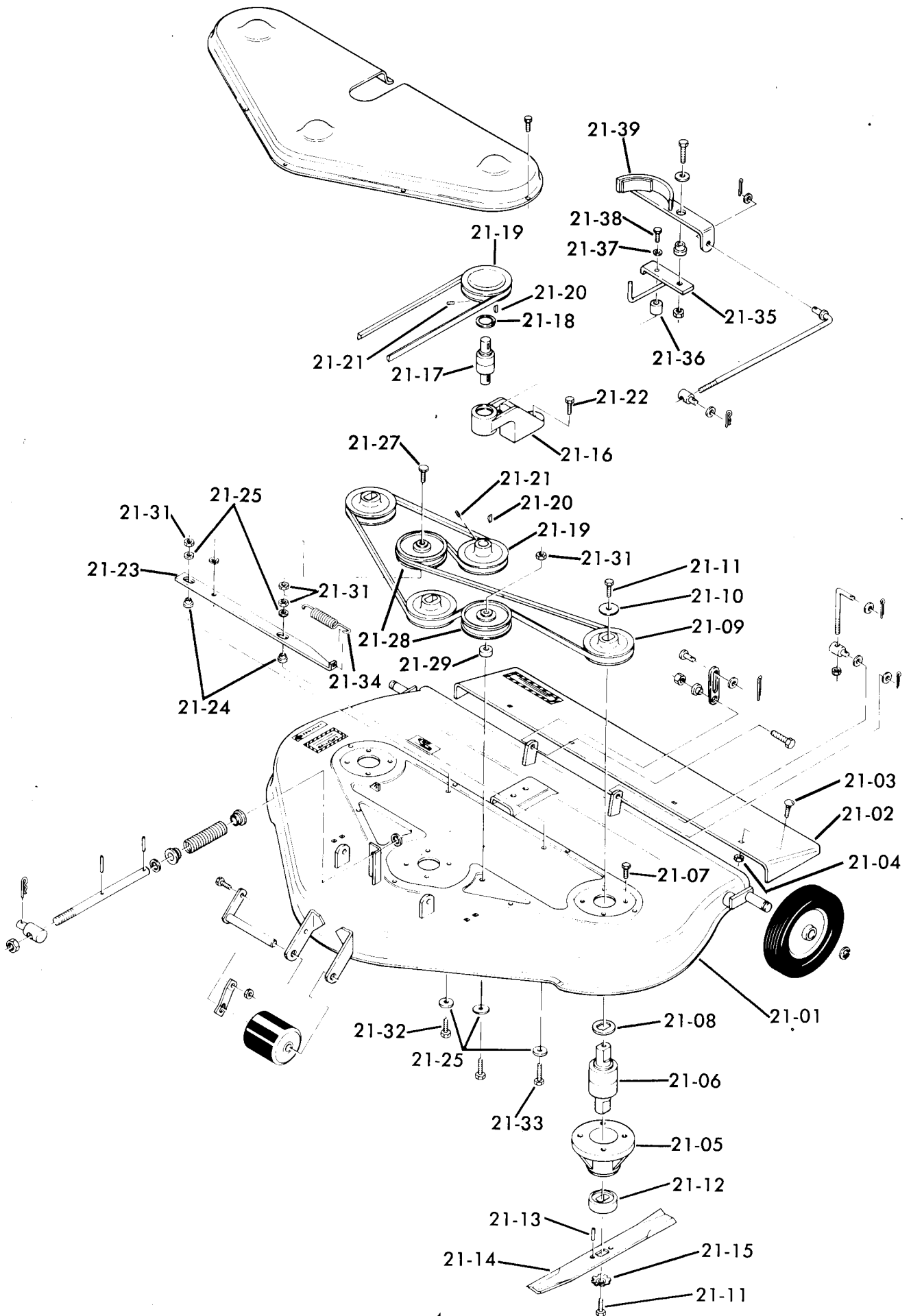
WHEEL HORSE
lawn & garden tractors

75-36XS02
75-36MR02

Price \$1.00

Part No. 803673R2

EXPLODED VIEW

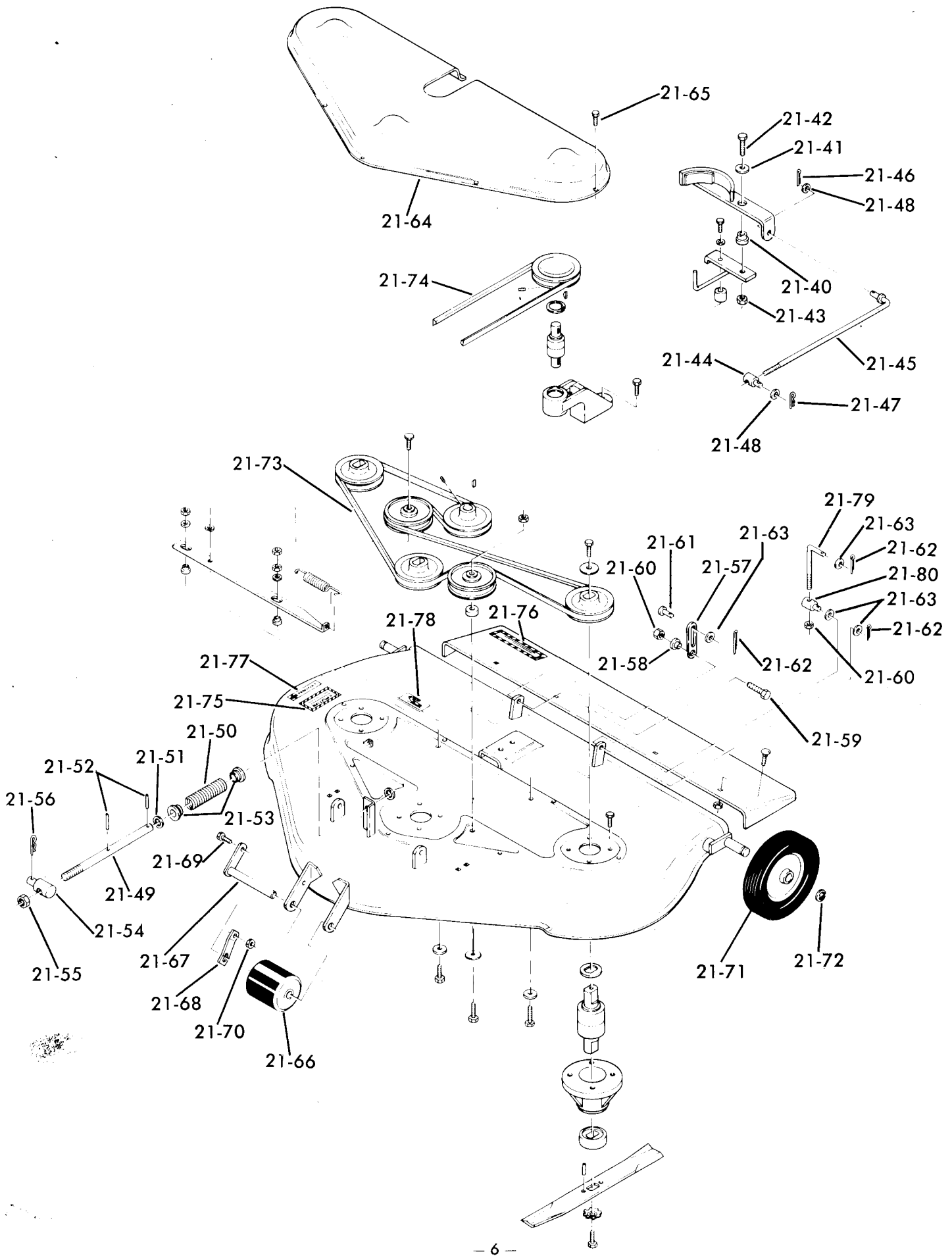


PARTS LIST FOR ROTARY MOWERS
VEHICLE IDENTIFICATION NUMBERS 75-36MR02 & 75-36XS02

Parts available only through Authorized Dealers.
 When ordering parts always list Part No. and Description.
(Specifications subject to change without notice.)

ITEM NO.	PART NO.	NO. REQ'D.	DESCRIPTION
21-01	106146	1	Rear Discharge Mower Deck
	106147	1	Side Discharge Mower Deck
21-02	103585	1	Extension Chute (Rear Discharge Only)
21-03	900062	4	Carriage Bolt $\frac{3}{8}$ -16 x $\frac{3}{4}$ (Rear Discharge Only)
21-04	915663	4	Hex Nut $\frac{3}{8}$ -16 E. S. (Rear Discharge Only)
21-05	105074	3	Bearing Housing
21-06	103119	3	Integral Shaft Bearing
21-07	908032	12	Hex Bolts $\frac{3}{8}$ -16 x $\frac{3}{4}$ Nylok
21-08	105075	3	Double "D" Washer
21-09	105781	3	Blade Drive Pulley
21-10	2844	3	Special Washer
21-11	908033	6	Nylok Bolt $\frac{3}{8}$ -16 x $\frac{7}{8}$
21-12	104373	3	Spindle Cup
21-13	933210	6	Spirol Pin $\frac{1}{4}$ x $\frac{5}{8}$
21-14	101335	1	Three Blade Kit
21-15	1336	3	Dome Washer
21-16	104176	1	Drive Bearing Housing
21-17	103711 -	1	Integral Shaft Bearing $\frac{5}{8}$
21-18	936021	1	Snap Ring
21-19	105465	2	Pulley
21-20	937089	2	Woodruff Key #9
21-21	909862	4	Set Screw $\frac{5}{16}$ -18 x $\frac{5}{16}$
21-22	926715	2	S. T. Screw $\frac{3}{8}$ -16 x $\frac{3}{4}$ (Swage Form)
21-23	105860	1	Idler Support Bar
21-24	101765	2	Bushing
21-25	2844	5	Washer
21-27	105865	1	Hex Bolt $\frac{3}{8}$ -16 x 1 $\frac{1}{4}$ (Short Head)
21-28	7434	2	Idler Pulley
21-29	102704	1	Spacer
21-31	915113	4	Eslok Hex Nut $\frac{3}{8}$ -16
21-32	908035	1	Hex Bolt $\frac{3}{8}$ -16 x 1
21-33	908037	1	Hex Bolt $\frac{3}{8}$ -16 x 1 $\frac{3}{4}$
21-34	100071	1	Extension Spring
21-35	105479	1	Pivot Bracket
21-36	979369	1	Spacer
21-37	920083	1	Lockwasher
21-38	908036	2	Hex Bolt $\frac{3}{8}$ -16 x 1 $\frac{1}{2}$
21-39	105469	1	Support and Brake Lining

EXPLODED VIEW



**PARTS LIST FOR ROTARY MOWERS
VEHICLE IDENTIFICATION NUMBERS 75-36MR02 & 75-36XS02**

Parts available only through Authorized Dealers.
When ordering parts always list Part No. and Description.
(Specifications subject to change without notice.)

ITEM NO.	PART NO.	NO. REQ'D.	DESCRIPTION
21-40	105474	1	Bushing
21-41	2844	1	Washer
21-42	908036	1	Hex Bolt $\frac{3}{8}$ -16 x $1\frac{1}{2}$
21-43	915113	1	Hex Nut $\frac{3}{8}$ -16 Eslok
21-44	101161	1	Trunnion
21-45	104764	1	Rod
21-46	932008	1	Cotter Pin
21-47	933505	1	Hairpin
21-48	920009	2	Washer $\frac{3}{8}$ SAE
21-49	103427	1	Link Rod
21-50	101439	1	Spring
21-51	920010	2	Washer, $7/16$ SAE
21-52	933158	2	Roll Pin
21-53	101441	2	Sintered Iron Bearing $\frac{1}{2}$ I. D.
21-54	103431	1	Trunnion
21-55	915237	1	Jam Nut $7/16$ -14
21-56	933505	1	Hairpin
21-57	104019	2	Lift Bar
21-58	104859	2	Lift Link Spacer
21-59	908035	2	Hex Bolt $\frac{3}{8}$ -16 x $1\frac{1}{4}$
21-60	- 915113	4	Hex Nut $\frac{3}{8}$ -16 Eslok
21-61	932961	2	Clevis Pin $\frac{3}{8}$ Dia. x $\frac{3}{4}$
21-62	932008	6	Cotter Pin $3/32$ Dia. x $\frac{3}{4}$
21-63	920009	6	Washer $\frac{3}{8}$ SAE
21-64	105475	1	Belt Cover
21-65	926671	7	Hex Screw $\frac{1}{4}$ -20 x $\frac{1}{2}$ (Swage Form)
21-66	5240	1	Roller Assembly
21-67	102770	1	Roller Shaft
21-68	102773	1	Roller Stop Spring
21-69	908002	1	Hex Bolt $\frac{1}{4}$ -20 x $\frac{5}{8}$
21-70	915111	1	Eslok Nut $\frac{1}{4}$ -20
21-71	103665	2	Wheel 6 x 1.75
21-72	5701	2	"E" Ring $\frac{1}{2}$
21-73	105476	1	80" Mower Belt
21-74	105477	1	40" Drive Belt
21-75	105206	2	Caution Decal
21-76	105203	1	Guard Decal
21-77	104903	1	Edge of Cut Decal
21-78	-105557	1	Belt Installation Decal
21-79	105927	2	Rod
21-80	- 105928	2	Lift Stud

At the time of printing, product information and specifications, as shown, were correct. Wheel Horse Products, Inc. reserves the right to change product specifications, designs and standard equipment without notice and without incurring obligation.



WHEEL HORSE
lawn & garden tractors

515 West Ireland Road, South Bend, Indiana 46614